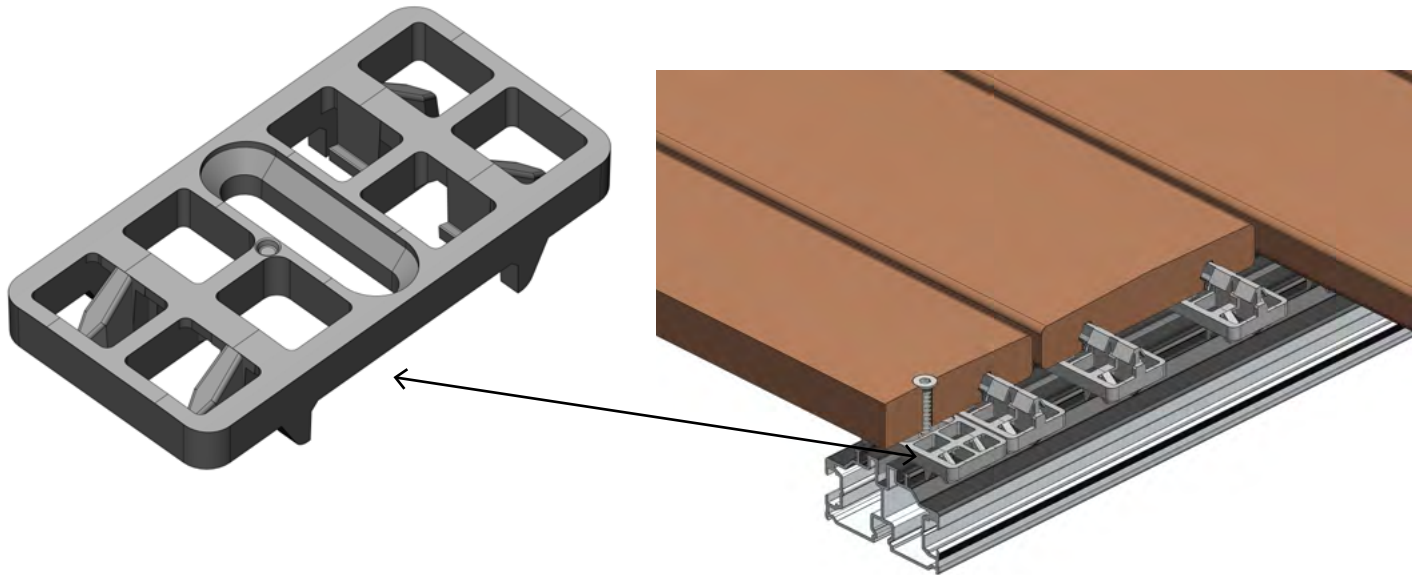


WEDGE CLIP

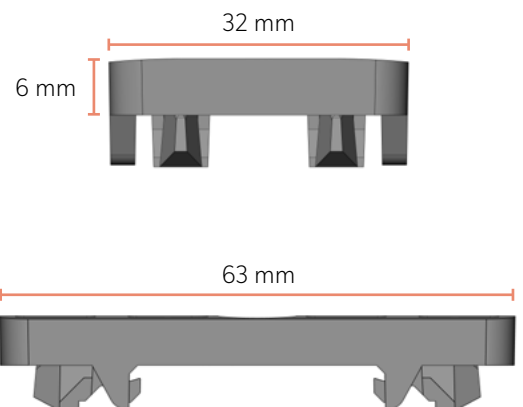
Utilisation : For reinforcing the edge of a trimmed decking board



WEDGE CLIP

WEDGE CLIP

Material	Polyoxymethylene
Density (kg/m³)	1410
Colour	Black
Tensile stress at yield (MPa)	64
Fusion temperature °C	190-220
Tensile modulus (MPa)	2850
Coefficient of linear expansion (10⁻⁶/K)	110
Weight (g)	8,72

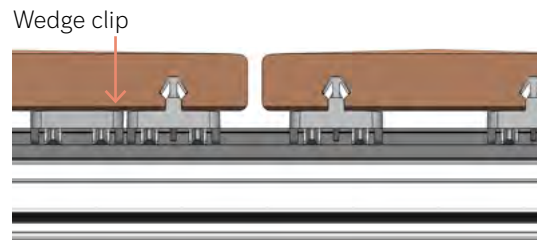
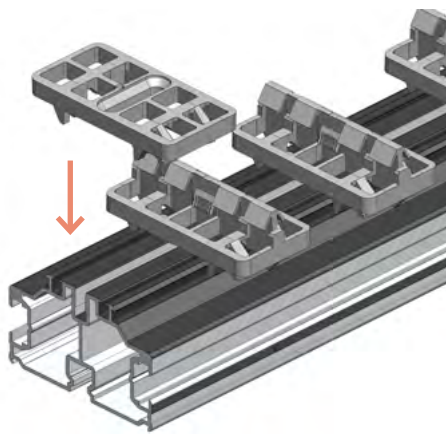
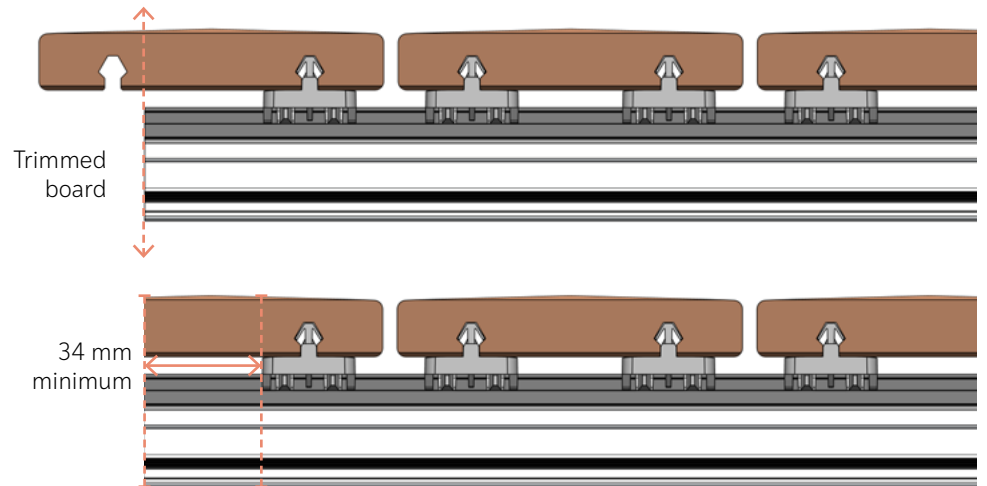


WEDGE CLIP USE

The wedge clip is used when a 2-groove decking board has to be trimmed and can no longer accommodate both Grad Clips or the Half-Clip.

To be able to use the wedge clip, there must be a minimum space of 34 mm between the edge of the rail and the existing Grad clip so that it can rest fully on the rail.

The wedge clip can be used with all Grad rail profiles.



Drill a 6 mm diameter hole for a TF 5/50 self-tapping screw to hold the board in place.

Align the drill hole with the oblong hole in the centre of the clip, which allows the screw to pass through without damaging the wedge clip.

